



YANMAR

SV22

MINI EXCAVATOR



Operating weight

2 120 kg (Canopy)/2 260 kg (Cabin)

Engine

3TNV76

Digging force (arm)

12 kN

Digging force (bucket)

19 kN

RELIABILITY AND COMPACTNESS





COMPACTNESS

The SV22 has been designed to meet all your requirements, and this while executing the most complicated jobs. Compact and lightweight, it can easily be transported on a trailer. Its stability and power enable it to work effectively regardless of the difficulty of your jobsite. The SV22 is intended for a wide range of applications such as urban renewal, grading or landscaping.



YANMAR ENGINE

The YANMAR TNV engine has been designed to combine high power and cleaner emissions. With its sophisticated injection system, it meets the European Commission (EC) emission standards. Its quiet operation makes this engine friendly to people and environment.



BEST COMPONENTS

Design and performance of the components made for heavy-duty job sites and long service life.



MAINTENANCE

Simple maintenance structure for fast and easy access to all components. Facilitated daily checks.



CABIN

The use of a ROPS structure for the cab guarantees the operator safety in a roll-over. The canopy and cab also conform to FOPS1 standards (concerning structures protecting against falling objects) and TOPS (Tip Over Protective Structure).



EASE OF USE

Ideally located, the second gear control knob (located on the blade lever) and the control levers offer exceptional movement precision. A proportional control auxiliary line allows a perfect mastery of the accessories.



COMFORT

The SV22 cab interior architecture has been studied to improve the operator driving position and to facilitate his work, particularly on the long and challenging work sites.

COMPACTNESS AND VERSATILITY



The Yanmar SV22 mini excavator with ultra-short swing radius provides easy access and works in the tightest spots. It provides a power and an exceptional productivity which, associated to an excellent stability, allow you to work with confidence in all circumstances.

COMPACT SIZE FOR EASY TRANSPORT

- + A transportation weight of only 2 045 kg* and a very compact undercarriage enable the SV22 to be transported with its accessories on a trailer. Loading and transfer from one site to another is facilitated which improves your daily productivity.
- + 4 anchor points facilitate the fixation of the machine during transport.*

* Canopy version



HIGH PERFORMANCE



Based on our unique experience and expertise, Yanmar technology ensures excellent performance while respecting the environment.

FLOW-SHARING CLOSED-CENTER HYDRAULIC SYSTEM

The SV22 hydraulic circuit is characterized by the proportional distribution of the flow rates. The variable flow pump and the load sensing closed center circuit guarantee precision, flexibility, power and perfect simultaneity of movements. This system allows the operator to perform all movements with an excellent performance, regardless of the flow rate or the load. The joysticks are very easy to handle and makes operator control of the machine's work even easier.



EXCEPTIONAL STABILITY AND LIFTING STRENGTH

The combination of a wide counterweight, asymmetric crawlers (system patented by Yanmar VICTAS®), and excellent weight distribution provide the SV22 with an impressive level of stability and exceptional lifting capacities. The VICTAS® system consists in increasing the bearing surface by increasing the track path and using asymmetric crawlers. It provides increased lateral stability and lifting capacity, reduced track wear and quiet, vibration-free movement.





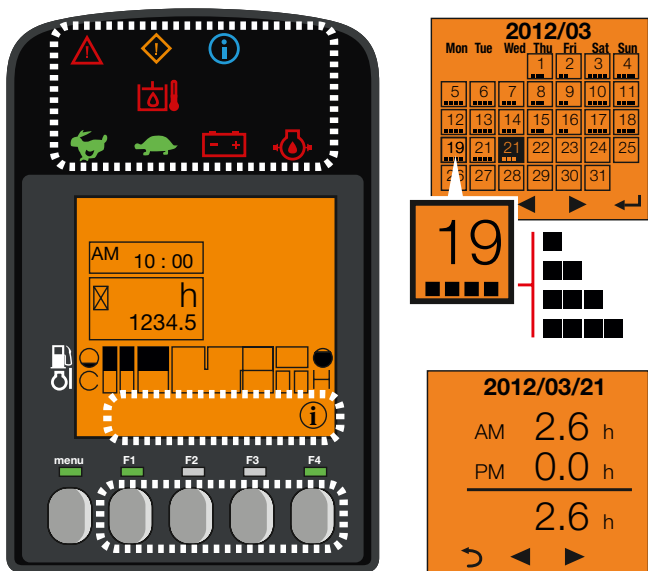
COMFORT

LARGE COMFORTABLE CABIN

The SV22 cab interior is very spacious for maximum freedom of movement. The large legroom allows the operator to work comfortably for long hours. The entrance, which is also very large, provides easy cab access and exit. The standard SV22 seat has a comfortable suspension with multiple adjustments and is equipped with a headrest to reduce operator stress and fatigue.

EXCELLENT AIR CIRCULATION

The SV22 has a heater that can work at a pleasant temperature in extreme weather conditions. The vents are placed to ensure a uniform temperature within the cabin and ensure a perfect window demisting.



DIGITAL INTERFACE

The SV22 is equipped with a digital interface which informs the operator in real time about the status of his machine. Perfectly integrated into the right hand console, the 3.3" screen provides excellent visibility. The interface provides the customer with useful information through LED lamps, or indications about important elements like fuel consumption, fuel gauge, coolant temperature gauge, etc...

The interface assists the customer for maintenance intervals and to program such interventions. It also works as a diagnostic tool in case of malfunction by sending an error code and an information icon on the display.

SAFETY

Because one is more effective in a safe and secure environment, the safety of the operator and the people working around the machine is one of our priorities.

OPTIMUM VISIBILITY FOR EFFICIENT AND SAFE WORK

The SV22 is equipped with 3 rear and side view mirrors. The operator can control the work area as well as the area around the machine without moving from his seat. In order to work efficiently and accurately in darkness, the SV22 comes with a standard LED light positioned in the lower part of the boom, where it is protected from shocks. The LED technology provides a powerful light while reducing energy consumption and increasing the life of the battery. A beacon and 3 additional LED lamps can optionally be added on the cab.



MAINTENANCE AND RELIABILITY

The SV22 perfectly meets the reputation for quality and durability of the Yanmar machines. The excellent accessibility to components and speed of maintenance and cleaning operations allow achieving excellent levels of onsite availability.

DESIGNED TO LAST

- + Structure of the chassis and durable steel covers provide foolproof resistance.
- + Large counterweight protects against possible shocks and friction against the walls.
- + Hoses protection with abrasion-resistant sleeves. Routing on the top of the boom and on the right side of the machine to avoid risk of torsion and limiting machine down time.
- + Form stringers prevents accumulation of soil and reduces internal track wear.



EASY MAINTENANCE

The rear and side covers, the panel under the seat and the removable floor provide direct access to the service points to reduce the maintenance time and cost. The blade cylinder flexible is made of two parts for quick replacement in case of perforation.



EQUIPMENT

[STANDARD EQUIPMENT]

PERFORMANCE

3TNV76-SBVA2 Yanmar diesel | Meets EN standards | Indirect injection | Water separator | LUDV Hydraulic circuit: flow sharing | 1 auxiliary circuit with proportional control | 2nd speed | Hydraulic oil gauge | 1 LED light integrated into the boom.

COMFORT

LCD Interface | Heating | Adjustable and reclining seat with fabric covers and headrest | Adjustable wrist support | Foot rests | Wide travel pedals | Windshield in 2 parts (retractable upper part) | Double sliding right side window | Transparent upper front part | Wipers | Windshield washer | Automatic ceiling lamp | 2 x 12V outlets | Storage boxes | Lockable document storage | Cup holder.

SAFETY AND DURABILITY

Handrails | Safety lever | Safety belt | Hammer for evacuation | 3 mirrors | Travel beep | 4 anchor points (2 on the undercarriage, 2 on the blade) | Blade cylinder supply hose into two parts | Complete protection of the cylinders (blade, arm and boom) | Hoses protected by abrasion-resistant and projection-resistant sleeves | Bonnet and trapdoor of the fuel tank lockables | System antidrop for trapdoor of the fuel tank.

MISCELLANEOUS

Fuel gauge | Locking covers | Tool kit | Grease pump.

[OPTIONAL EQUIPMENT]

EQUIPMENT AND PERFORMANCE

Special paint | Quick couplings | Bio oil | 2 LED head lights on the front of the machine | 1 LED rear light + flashing LED light | 1/2 circuit.

COMFORT AND EASE OF USE

Skaï seat | Radio with USB plug and SD card player | Centralised greasing.

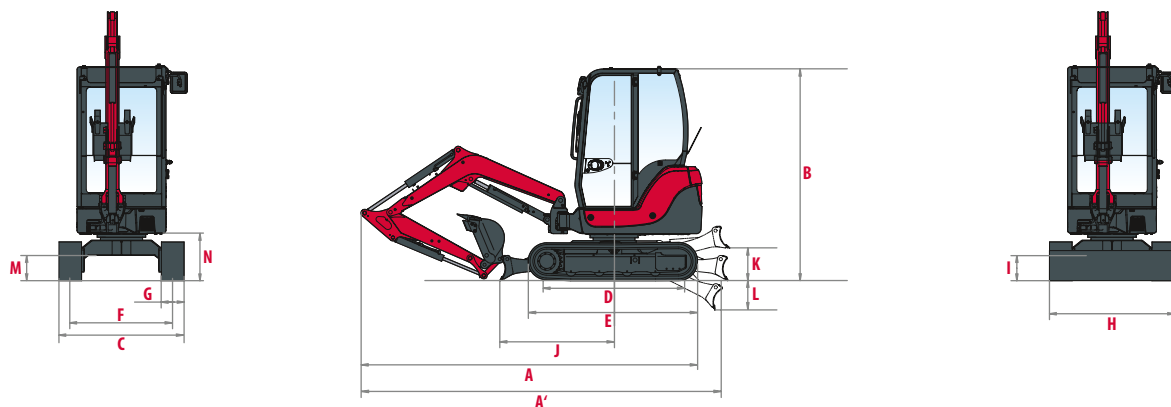
SAFETY AND DURABILITY

Safety valves for lifting + overload warning | Anti-theft (key/keyboard) | GPS Tracking | Travel alarm.

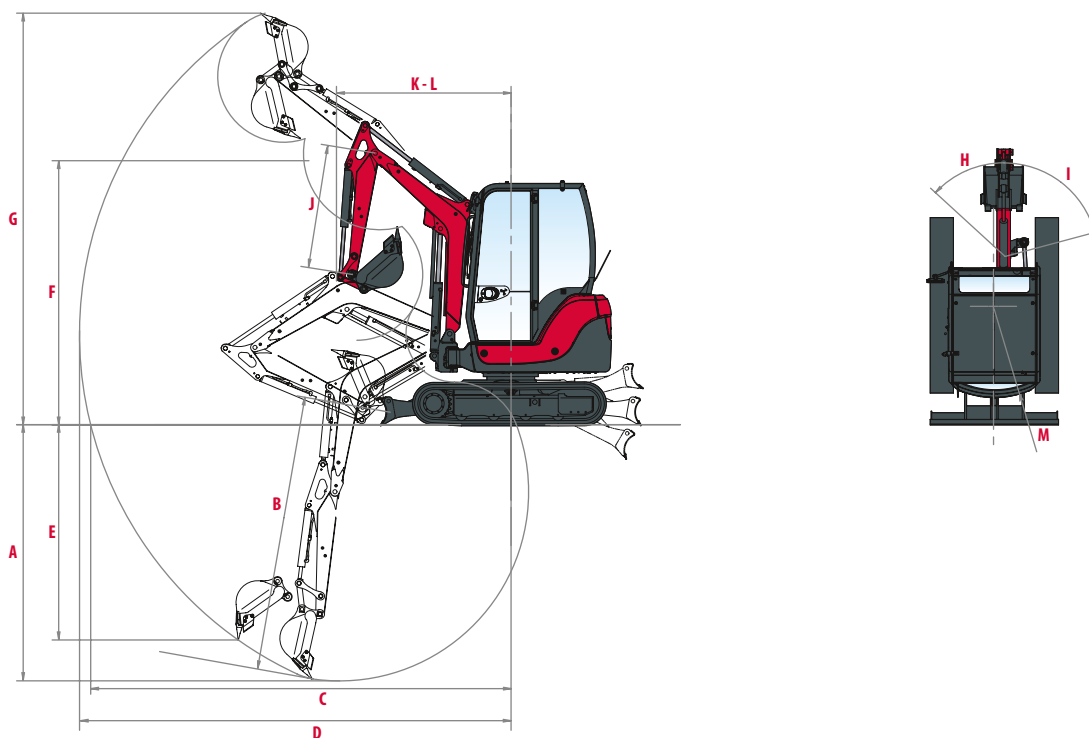
[ACCESSORIES]

Yanmar gives you the accessories that fit your needs and match the safety standards in force in your country: mechanical quick coupler, ditching bucket, swinging bucket, backhoe bucket, hydraulic hammer...

DIMENSIONS



A Overall length	3 775 mm	H Overall blade width	1 380 mm
A' Overall length with blade at the back	4 090 mm	I Overall blade height	300 mm
B Overall height	2 320/2 360* mm	J Blade distance	1 270 mm
C Overall width	1 380 mm	K Max. lifting height above the ground	370 mm
D Length of track on ground	1 450 mm	L Max. lowering depth from the ground	340 mm
E Undercarriage length	1 890 mm	M Minimum ground clearance	280 mm
F Lane	1 160 mm	N Ground clearance under counterweight	490 mm
G Track width	250 mm		



A Max. digging depth - Blade lifted	2 480 mm	H Boom swinging base to left	40°
B Max. digging depth - Blade lowered	2 650 mm	I Boom swinging base to right	80°
C Max. digging reach on ground	4 130 mm	J Arm length	1 200 mm
D Max. digging reach	4 240 mm	K Front swing radius	1 700 mm
E Max vertical wall	2 085 mm	L Front swing radius with boom swing	1 460 mm
F Max. unloading height	2 760 mm	M Rear swing radius	980 mm
G Max. cutting height	4 020 mm		

* Canopy - Cabin
Subject to technical modifications. Dimensions in mm with specific Yanmar bucket.

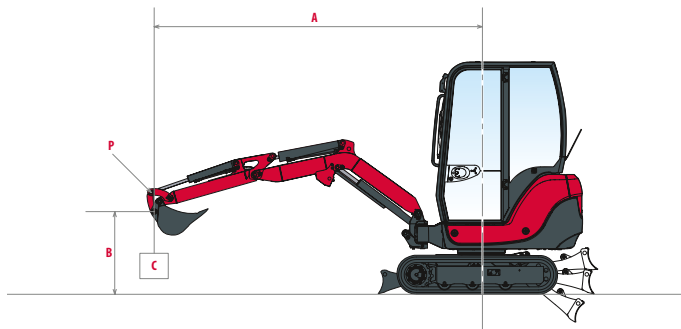
LIFTING FORCE



Tipping load, rating over front



Tipping load, rating over side 90°



Cabin, standard arm

A	Blade on ground							Blade above ground																
	Max.	3,5 m		3 m		2,5 m		2 m		1,5 m		Max.	3,5 m		3 m		2,5 m		2 m		1,5 m			
B																								
2,5 m	345	*505	-	-	*470	*490	-	-	-	-	-	-	345	*505	-	-	*470	*470	-	-	-	-	-	
2 m	340	*500	-	-	*480	*480	*505	*510	-	-	-	-	340	390	-	-	*480	*480	*505	*505	-	-	-	
1,5 m	320	*505	320	*505	420	*545	*595	*595	*720	*725	-	-	320	345	320	345	420	460	*595	*595	*720	*700	-	-
1 m	300	*515	320	*520	400	*590	520	*700	720	*965	-	-	300	345	320	355	400	450	520	590	720	*965	-	-
0,5 m	300	*525	310	*535	395	*630	495	*795	660	*1125	965	*1405	300	340	310	350	395	445	495	590	660	840	965	1110
0 m	315	*550	315	*550	375	*660	495	*830	670	*1150	1025	*1465	315	355	315	355	375	430	495	550	670	820	1025	1190
-0,5 m	330	*530	-	-	355	*565	505	*735	660	*925	1060	*1410	330	360	-	-	355	385	505	490	660	650	1060	1065
-1 m	390	*530	-	-	-	-	465	*645	700	*840	1000	*1235	390	445	-	-	-	-	465	505	700	680	1000	*1235
-1,5 m	*560	*560	-	-	-	-	-	-	*550	*550	*830	*820	*560	*560	-	-	-	-	-	-	*550	*550	*830	*830

Canopy, standard arm

A	Blade on ground							Blade above ground																
	Max.	3,5 m		3 m		2,5 m		2 m		1,5 m		Max.	3,5 m		3 m		2,5 m		2 m		1,5 m			
B																								
2,5 m	340	*505	-	-	375	*490	-	-	-	-	-	-	325	385	-	-	375	*470	-	-	-	-	-	
2 m	300	*500	-	-	370	*480	430	*510	-	-	-	-	295	335	-	-	370	*480	*505	*505	-	-	-	
1,5 m	275	*505	275	*505	365	*545	470	*595	*715	*725	-	-	275	295	275	295	365	400	470	505	*720	*700	-	-
1 m	265	*515	275	*520	345	*590	450	*700	650	*965	-	-	255	295	275	305	345	390	450	505	615	745	-	-
0,5 m	260	*525	265	*535	345	*630	430	*795	585	*1125	785	*1405	260	295	265	300	340	380	430	505	555	715	780	855
0 m	270	*550	270	*550	325	*665	420	*830	570	*1150	765	*1465	270	305	270	305	325	370	425	470	565	690	840	940
-0,5 m	285	*530	-	-	305	*565	435	*735	580	*925	915	*1410	280	300	-	-	300	320	435	405	560	525	880	810
-1 m	330	*530	-	-	-	-	400	*645	610	*840	830	*1235	330	380	-	-	-	-	395	420	600	555	815	865
-1,5 m	450	*560	-	-	-	-	-	-	610	*550	*1010	*820	440	445	-	-	-	-	-	-	600	490	*1005	*830

[The data in this table represents the lifting capacity in accordance with ISO 10567. They do not include the weight of the bucket and correspond to 75% of the maximum static tipping load or 87% of the hydraulic lifting capacity. Data marked with * are the hydraulic limits of the lifting force.]

TECHNICAL SPECIFICATIONS

[WEIGHT +/- 2% (EN-STANDARDS) (WITH BUCKET OF 58KGS)]

	Canopy		Cabin	
Operating weight (rubber tracks)	2 120 kg	0.27 kgf/cm ²	2 260 kg	0.29 kgf/cm ²
Transport weight (rubber tracks)	2 045 kg	0.26 kgf/cm ²	2 185 kg	0.28 kgf/cm ²


[ENGINE]

Type	3TNV76-SBVA2
Regulation	Stage V
Fuel	Diesel
Net power	13.4 kW/18.2 HP/2 200 rpm
Gross Power	13.8 kW/18.75 HP/2 200 rpm
Displacement	1.116 liters
Maximum torque	66.3 - 69 N.m (1 600 rpm)
Cooling	Water-cooling
Starter	12V - 1.4 kW
Battery	12 V - 45 Ah
Alternator	12 V - 40 A

[HYDRAULIC SYSTEM]

Maximum pressure	210 bar
1 single piston pump with variable flow	50 l/min

PTO	Measured data at max engine speed	
	Pressure	Oil flow
1 way	0-200 bar	43.1-5.7 l/min
2 way	0-185 bar	11.2-8.9 l/min

 Oil flow decreases as the pressure increase.

[PERFORMANCE]

Travel speed	2.4/4.1 km/h
Rotation speed	9.5 rpm
Digging force (arm)	12kN
Digging force (bucket)	19 kN
Maximum static traction force [1st speed] / [2nd speed]	20.4 kN/9.6 kN
Gradeability	30°
Noise level (2000/14/CE & 2005/88/CE)	LwA: 92 dBA/LpA: 81 dBA

[UNDERCARRIAGE]

Number of bottom rollers	4
Track tensioning system	Grease adjuster

[CAPACITIES]

Fuel tank	29 l
Cooling system	4 l
Engine oil	3.9 l
Hydraulic system (including hydraulic tank)	32 l
Hydraulic tank	20 l

MAINTENANCE FREQUENCY

[Change engine oil and filter: **500 hours**] [Change fuel filter: **250 hours**] [Change hydraulic oil filter: **500 hours**] [Change hydraulic oil return filter: **500h**] [Change hydraulic oil: **1 000 hours**] [Change cooling fluid: **2 000 hours**]



YANMAR



Yanmar Compact Equipment EMEA

GB_SV22_1022



www.yanmar.com

***BUILDING
WITH YOU***

Printed in France – Materials and specifications are subject to change from the manufacturer without notice – Please contact your local Yanmar Compact Equipment EMEA dealer for further information.